

## The MaxiBlast™ Wheel Difference

- The reversible vanes in the MaxiBlast Wheel wear longer because abrasive flows over 12 vanes instead of eight.
- Optimum abrasive flow rate results in faster cleaning cycles.
- The unique design provides today's easiest-to-maintain wheel.
- The feed parts are universal for either CW or CCW rotation.



Pangborn's MaxiBlast™ Reversible 12 Vane Wheels deliver unequalled abrasive concentration across the work for faster, more even cleaning with less wheel wear.

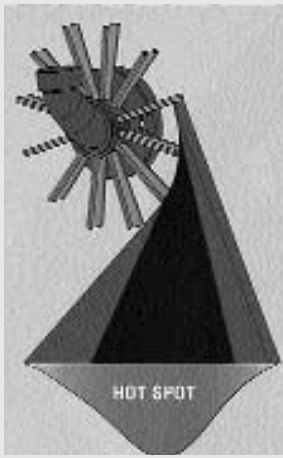
# MaxiBlast™

## Reversible 12 Vane Wheel



# PANGBORN®

*The First Name in Surface Preparation Systems*



- **Maximum Abrasive Concentration**
- **Maximum Cleaning Power**
- **Maximum Parts Service Life**
- **Maximum Ease of Maintenance**

Like all Pangborn products, MaxiBlast wheels are backed by the industry's most experienced field service staff. With over 65 distributors in North America, plus sales representatives and licensees worldwide, and our comprehensive Customer Technology Center, Pangborn offers unequaled technical support.

**For FirstService™ call  
1.800.638.3000**

Visit us on the internet at:  
[www.pangborn.com](http://www.pangborn.com)

**Pangborn Corporation**  
Pangborn Blvd., P.O. Box 380  
Hagerstown, MD 21740 USA  
Toll Free: 1.800.638.3000  
Phone: 301.739.3500  
Fax: 301.790.0619

# MaxiBlast

## Reversible 12 Vane Wheel

**1** Cast P-41 top and end liners with labyrinth seals completely protect the MaxiBlast wheel housing from abrasive wear. Simple to install, the five liners can be easily repositioned for maximized service life. The top liner fastens directly to the hinged housing cover for quick interior access.

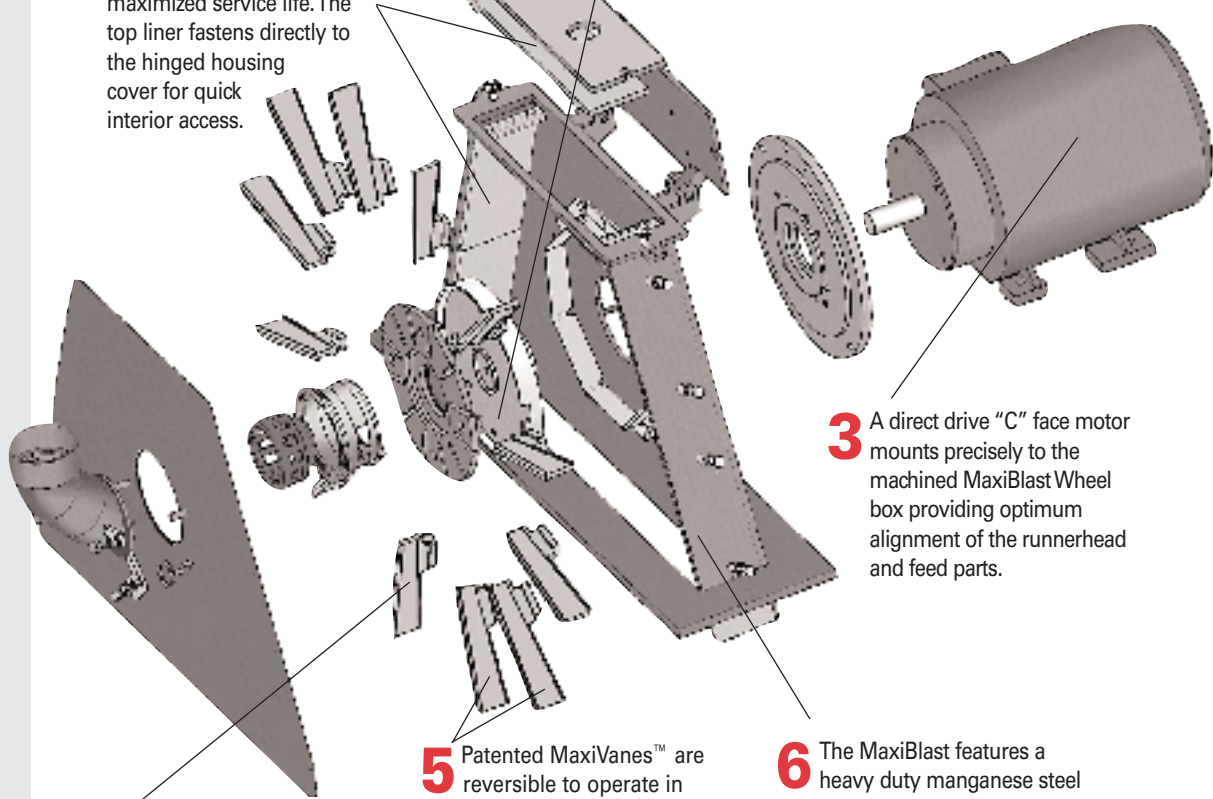
**2** The MaxiBlast Wheel's runnerhead, impeller and impeller case are reversible for either CW or CCW rotation, meaning fewer parts to stock. Also, the feed parts and feed spout need not be removed to change the vanes, reducing maintenance time and cost.

**3** A direct drive "C" face motor mounts precisely to the machined MaxiBlast Wheel box providing optimum alignment of the runnerhead and feed parts.

**4** A 12-vane MaxiBlast wheel means less abrasive per vane and less vane wear. Simple efficiency of design with unequal wear life and low maintenance are at the heart of today's most efficient blast cleaning wheel — the MaxiBlast wheel.

**5** Patented MaxiVanes™ are reversible to operate in either CW or CCW rotation, reducing stock requirements. A unique patented retainer plate holds the vanes in place, eliminating the need for springs, pins or attachments. Simply remove four bolts to change a vane set for maintenance.

**6** The MaxiBlast features a heavy duty manganese steel housing, protecting against abrasive wear and leakage.



### The MaxiBlast Wheel Family

Wheel	RPM*	Abrasive Velocity	Abrasive Flow
150 DD-2RI	3600	285 ft/sec	1205 lbs/hr/hp
240 DD-2RI	1800	240 ft/sec	1700 lbs/hr/hp
265 DD-2RI	1800	265 ft/sec	1426 lbs/hr/hp

\* The lowered RPM requirements allow the MaxiBlast wheel to clean effectively with less parts wear and abrasive breakdown.

# PANGBORN